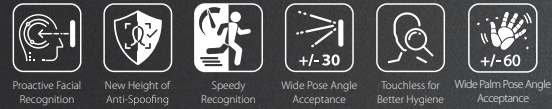


# SpeedFace-V4L

Linux-Based Hybrid-Biometric Access Control & Time and Attendance Terminal with Visible Light Facial Recognition & Palm Recognition



Compatible with **ZK Bio Access IVS**

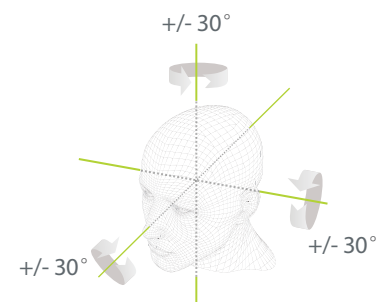


## Features

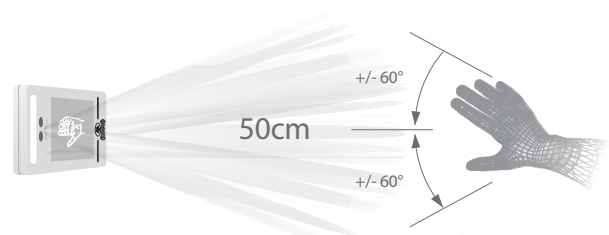
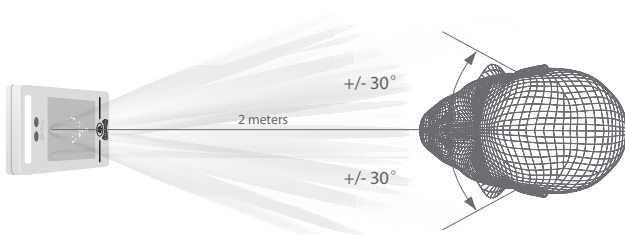
- Visible Light Facial Recognition
- Anti-spoofing algorithm against print attack (laser, color and B/W photos), videos attack and 3D mask attack
- Multiple verification methods: Face / Palm / Card / Password
- Available card modules: 125kHz ID card (EM) / 13.56MHz IC card / HID card / Felica card
- Supplement light with adjustable brightness
- 800 face templates capacity, 800 palm templates capacity

## 2 meters of recognition distance and extra wide angle recognition

The recognition distance has been greatly extended to 2 meters, which significantly improves the maximum traffic rate. While most of the algorithms only support +/-15° of detectable face angle, SpeedFace-V4L doubles the detection angle in terms of head rotation and tilt to +/- 30°.



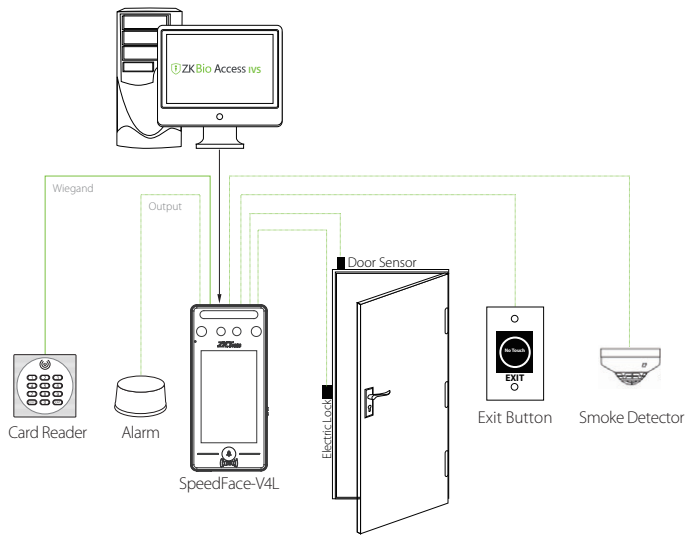
Touchless palm authentication method with a novel hand tracking technique allowing angle tolerance as wide as +/-60° in the roll axis and a recognition distance of 50cm.



# Specifications

Display	4" touch screen
Face Capacity	1,000 (Optional:2,000)
Palm Capacity	1,000
Card Capacity	1,000 (Optional:2,000)
Transactions	150,000
Operation System	Linux
Standard Functions	ID Card, ADMS, T9 Input, DST, Camera, 9-digit User ID, Access Levels, Groups, Holidays, Anti-passback, Record Query, Tamper Switch Alarm, Multiple Verification Methods, Palm Recognition
Hardware	900MHz Dual Core CPU; 512MB RAM / 512MB Flash; 2MP Binocular Camera; Adjustable LED Supplement Lighting
Communication	TCP/IP, USB Host, WiFi(Optional), Wiegand Input / Output, RS485
Access Control Interface	3rd-party Electric Lock, Door Sensor, Exit Button, Alarm Output, Auxiliary Input
Optional Function	13.56MHz IC Card, HID card, Felica card, SRB Function, Cable Box
Facial Recognition Speed	≤1s
Biometrics Algorithms	ZKFace V5.8 & ZKPalm V12.0
Power Supply	12V 3A
Working Humidity	10% ~ 90%
Working Temperature	0°C ~ 45°C (32°F ~ 113°F)
Dimensions (W*H*D)	72.94 * 157.94 * 23 (mm)
Net Weight	260g
Gross Weight	850g
Supported Software	ZKBio Access IVS

# Configuration



# Dimensions (mm)

